

100/1000Base-T Magnetics  
 Single Port RJ45 Connector  
 with Integrated Magnetics and LED

Part Number:

HR911130A

Electrical Specification @25° C

Isolation: 1500Vrms (UTP Side to Chip Side)

OCL: 350uH Minimum @100KHz 100mV with 8mADC

Insertion Loss: -1.0dB Maximum @100KHz ~ 60MHz

Insertion Loss: -1.1dB Maximum @60MHz ~ 100MHz

Return Loss: -18dB Minimum @0.3MHz ~ 30MHz

-14dB Minimum @40MHz ~ 60MHz

-12dB Minimum @80MHz ~ 100MHz

Common Mode Rejection: -40dB Minimum @1MHz ~ 60MHz

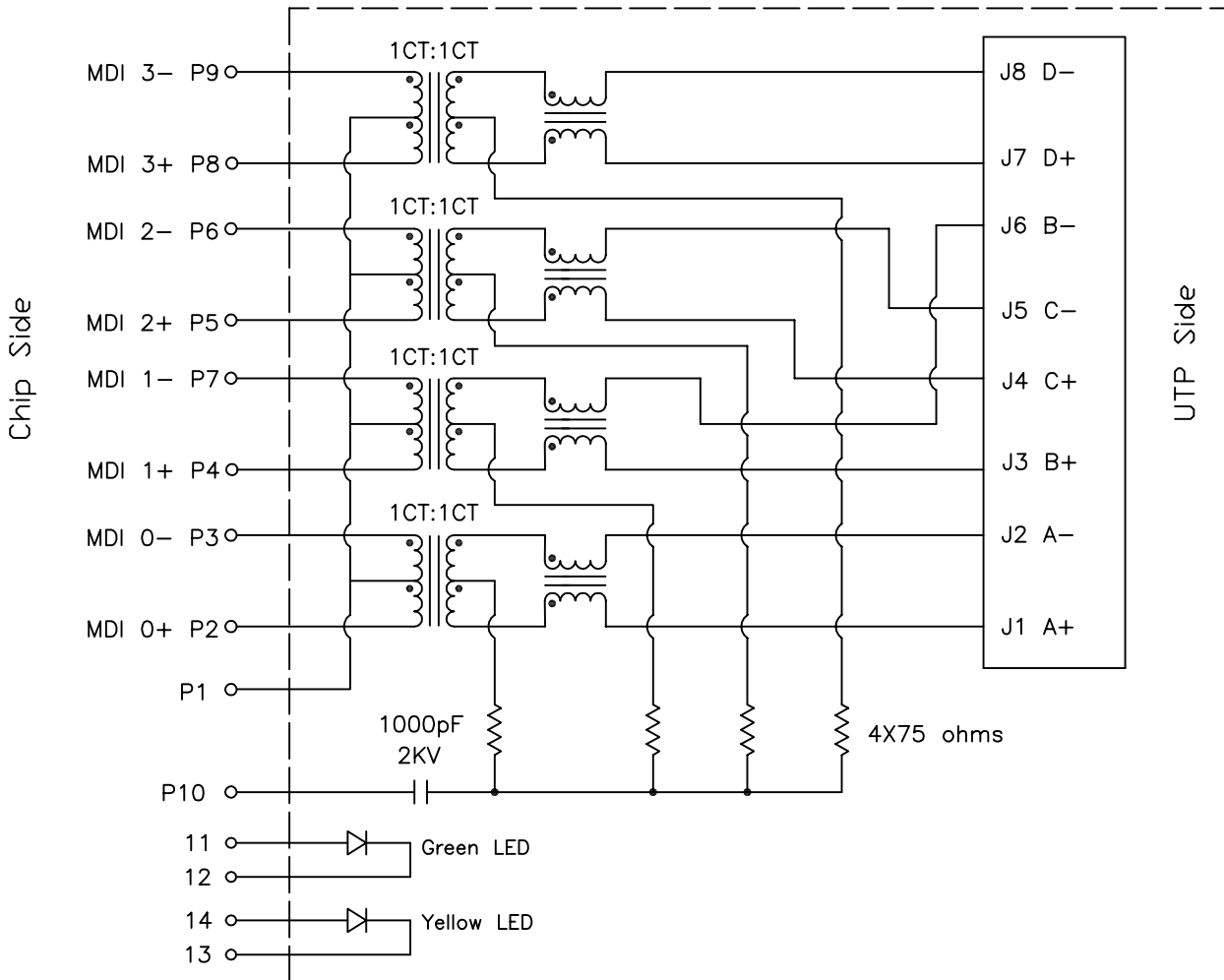
-35dB Minimum @60MHz ~ 100MHz

Crosstalk: -35dB Minimum @1MHz ~ 10MHz

-26dB Minimum @15MHz ~ 60MHz

-24dB Minimum @60MHz ~ 100MHz

Schematics



Part No.: HR911130A	Unless otherwise specified, Tolerance: .xx ±0.25	Rev: A	DRWN:	Date:
Dimensions in mm		Page 1/2	APPD:	Date:

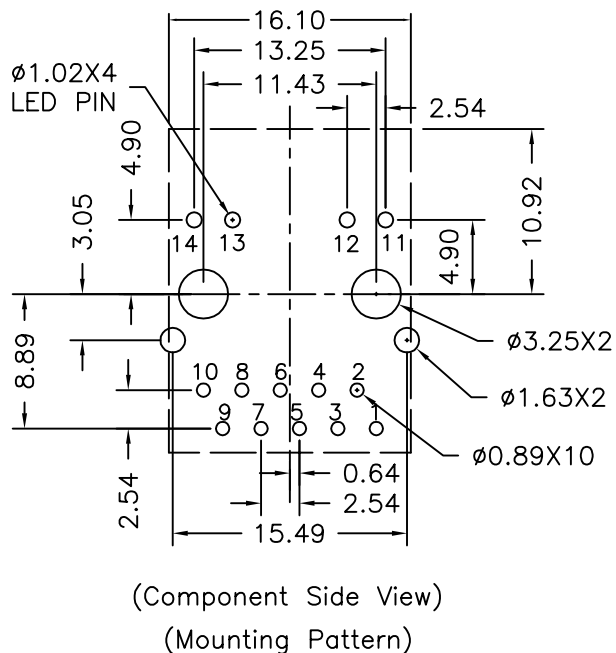
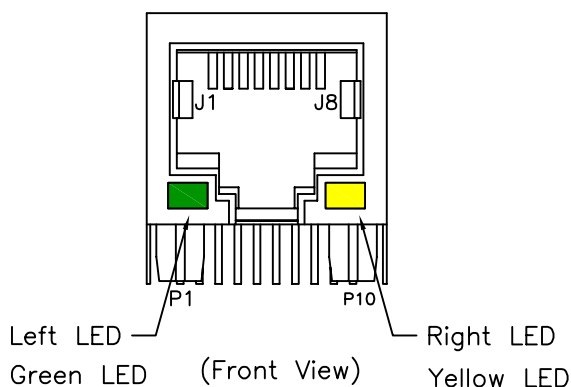
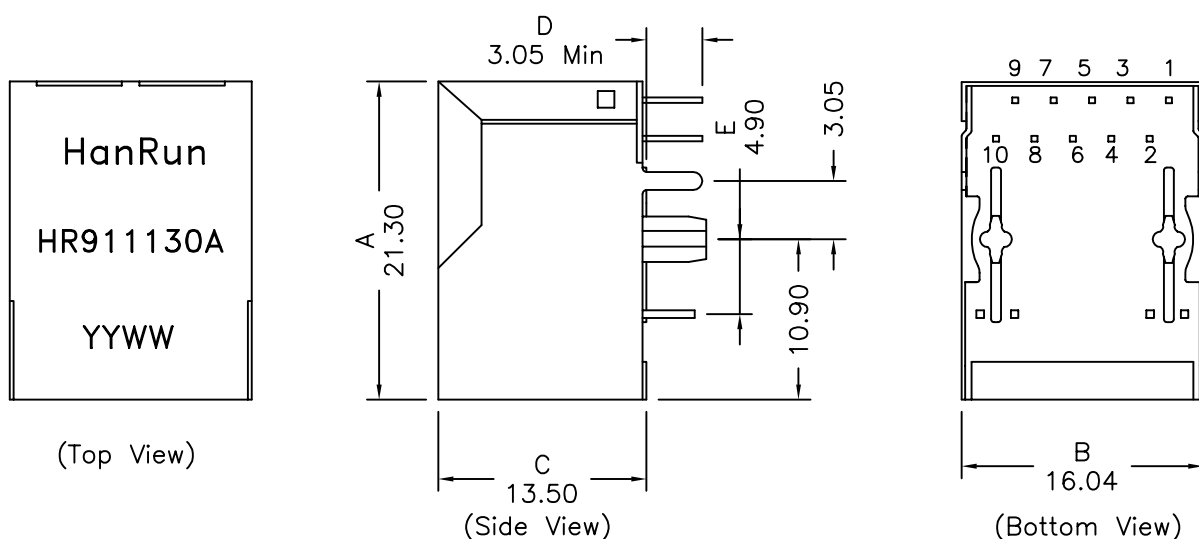
Single Port RJ45 Connector  
with Integrated Magnetics and LED

Part Number

HR911130A (Shield Type: A)

- Meets or Exceeds IEEE802.3ab standards for 1000Base-T
- High performance for EMI suppression, Crosstalk, Return Loss and Consistent Electrical
- Minimum 1500Vrms isolation per IEEE802.3 requirement
- Minimize PCB space and Simplify PCB Layout
- Less magnetic components to place on PCB, Higher reliability and yields

Mechanical Dimensions:



Standard LED	Wavelength	Forward V (Min/Max)	Forward A	Type
Green	568nm	1.8V/2.8V	20mA	squareness
Yellow	585nm	1.8V/2.8V	20mA	squareness

Part No.: HR911130A	Unless otherwise specified, Tolerance: .xx $\pm 0.25$	Rev: A	DRWN:	Date:
Dimensions in mm		Page 2/2	APPD:	Date: